

# ABB IRB2400L M98 Robot System

## Automation Repair and Sales

Electronics  
 Robotics  
 Servo motors  
 Spindle Motors  
 CNC  
 HMI / Displays  
 Operator Stations  
 Monitors  
 PLCs  
 Light Curtains  
 Inverter Drives  
 AC/DC Drives  
 Welders  
 Process Controls

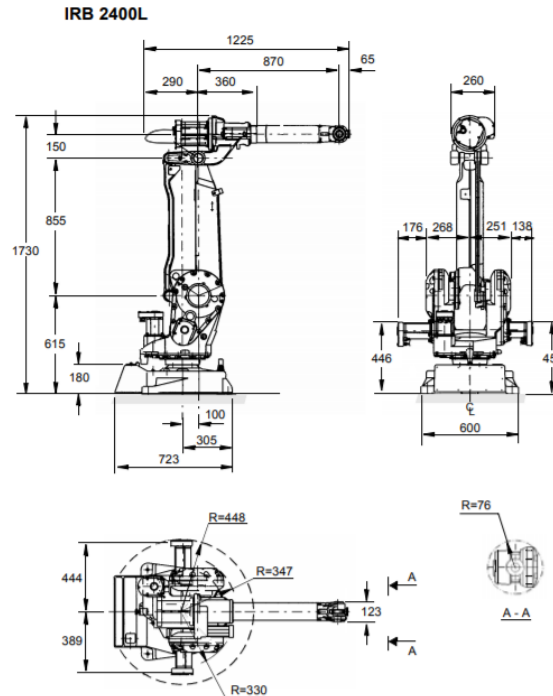


Figure 11 View of the manipulator from the side, rear and above (dimensions in mm).

The ABB IRB2400L M98 is a Mid-sized Robot with 1800MM reach and a max payload of 7KG. This Robot can be outfitted with the proper software and hardware for your automated application. Please Inquire. Robot World puts every used robot through an extensive reconditioning process, restoring it to like-new condition. Therefore, you get the same benefits, but at a much lower cost!

Robot Specifications		Robot Motion Speed		Robot Motion Range	
Axes:	6	J1	135 °/s (2.36 rad/s)	J1	±360°
Payload:	7.00kg	J2	135 °/s (2.36 rad/s)	J2	±200°
H-Reach:	1800.00mm	J3	135 °/s (2.36 rad/s)	J3	±125°
Repeatability:	±0.0600mm	J4	310 °/s (5.41 rad/s)	J4	±370°
Robot Mass:	380.00kg	J5	310 °/s (5.41 rad/s)	J5	±240°
Structure:	Articulated	J6	310 °/s (5.41 rad/s)	J6	±800°
Mounting:	Floor, Inverted				

Contact your Northline sales representative for all of your repair needs.