

Motoman SK16X XRC Robot System

Automation Repair and Sales

- Electronics
- Robotics
- Servo motors
- Spindle Motors
- CNC
- HMI / Displays
- Operator Stations
- Monitors
- PLCs
- Light Curtains
- Inverter Drives
- AC/DC Drives
- Welders
- Process Controls

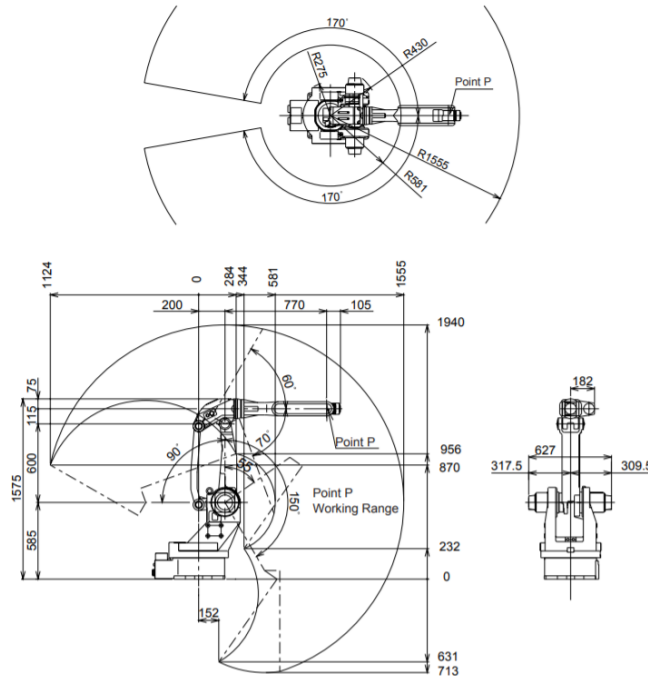


Fig. 12 Dimensions and Working Range(mm)

The Motoman SK16X XRC is a mid-sized robot with the speed and payload to handle applications up to 1555mm and payload of 16kg. This Motoman SK16X robot is only offered as a used robot now, but that does not mean you sacrifice quality. RobotWorld puts every used robot through an extensive reconditioning process, restoring it to like-new condition. Therefore, you get the same benefits, but at a much lower cost!

Robot Specifications		Robot Motion Speed		Robot Motion Range	
Axes:	6	J1	140 °/s (2.44 rad/s)	J1	±170°
Payload:	16.00kg	J2	140 °/s (2.44 rad/s)	J2	+150° - 90°
H-Reach:	1555.00mm	J3	140 °/s (2.44 rad/s)	J3	+150° - 110°
Repeatability:	±0.1000mm	J4	330 °/s (5.76 rad/s)	J4	±180°
Robot Mass:	290.00kg	J5	330 °/s (5.76 rad/s)	J5	±135°
Structure:	Articulated	J6	480 °/s (8.38 rad/s)	J6	±350°
Mounting:	Floor				

Contact your Northline sales representative for all of your repair needs.